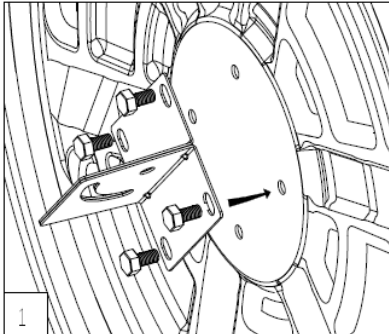


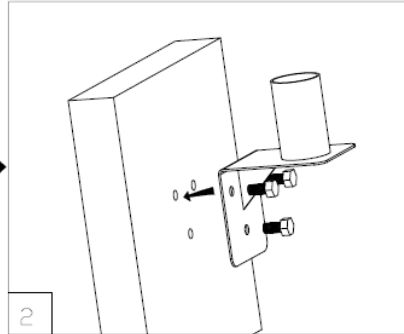
CONVEX MIRROR INSTALLATION

MODELS: PAC-CM-60 / PAC-CM-80 / PAC-CM-100

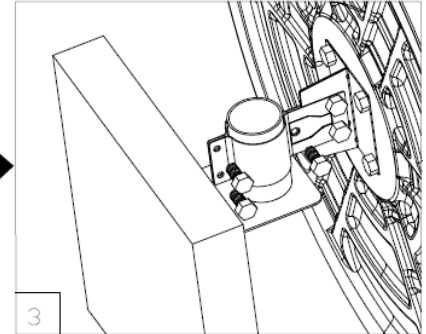
Installation on Wall



Step 1: Fasten the L parts (left and right) to the back of the mirror with bolts and make sure the fastening arc-shaped orifice of the L parts are downwards.

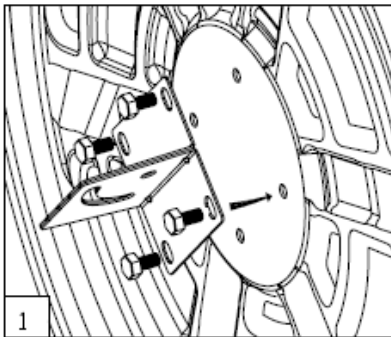


Step 2: Drilling an orifice in the wall with a appropriate location, connecting the wall accessories to the wall with M8 anchoring, then adjusting it to a appropriate location and tightening it.

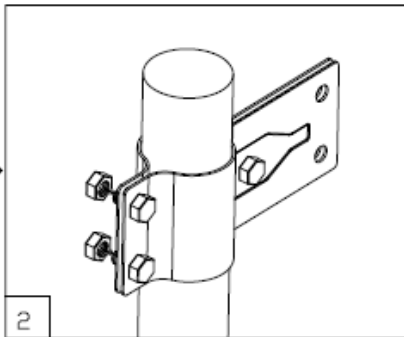


Step 3: Connecting the lever and wall accessories with L parts by using a M8 bolt, tightening it after adjusting the angel and location.

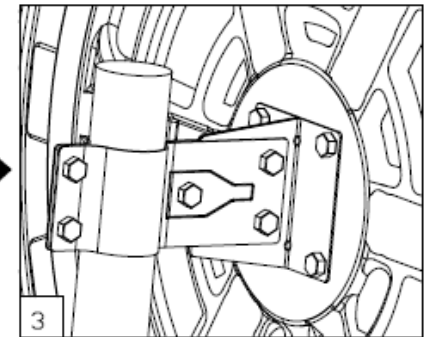
Installation on Pole



Step 1: Fix the Right and Left L' Parts to the back of mirror with bolts, assure that the arc hole is down.



Step 2: Use M8 Bolts to connect the Brackets to the pole, adjust them to a suitable position.



Step 3: Connect the L' Parts fixed into the mirror back to the Brackets with M8 Bolts, adjust the angle and position well, then screw them.